

ECMA

Standardizing Information and Communication Systems

**Private Integrated Services Network
(PISN) -
Reference Configuration for PISN
Exchanges (PINX)**

ECMA

Standardizing Information and Communication Systems

**Private Integrated Services Network
(PISN) -
Reference Configuration for PISN
Exchanges (PINX)**

Brief History

The purpose of a reference configuration (RC) is to define reference points by means of identifying functional groupings which interwork at the reference points.

Suitable definitions of functional groupings allow the proper definition of the behaviour and/or performance of such groupings, merely by referring to the corresponding reference points.

This applies to aspects such as:

- delimitation of areas of responsibility, e.g. for management, operation etc.;
- partitioning and apportioning of performance values;
- numbering;
- termination of signalling protocols;
- etc.

This particular Standard defines the RC for a 64 kbit/s-based Private Integrated Services Network (PISN) exchange (PINX), including a description for modelling complete PISNs consisting of more than one PINX. It also forms a component for a RC for high-speed-PISNs (HS-PISN), i.e. PISNs which may be based on technologies such as broad-band ISDN, LAN, etc. The particularities for HS-PISN will be specified in other parts of this Standard.

In addition to the user-to-ISDN reference configuration specified in ITU-T Rec. I.411 which allows the exchanges of a private integrated services network (PISN) to interwork with a public ISDN in a Concatenation Scenario, ISO/IEC 11579 specifies a reference configuration which allows to specify the functions which apply to the control of connections and calls between any two exchanges of a given PISN.

The concept of this Standard is based on the assumption that such inter-PISN-exchange connections are routed through an intervening network, which can be of any nature from, in the trivial case, a mere physical medium like a piece of wire, up to a switching network, such as the public ISDN, provided it offers the required capabilities for carrying user and control information between the PISN exchanges. In the case that the IVN is represented by a public ISDN, the PISN and the public ISDN interwork in an Overlay Scenario.

For further information on the Concatenation and the Overlay Scenarios see annex B.

In general, inter-PISN-exchange calls require that any two interconnected PISN exchanges

- can be provided with bearer capabilities between each other, which support and satisfy the requirements as requested by the users of the PISN; and
- can interchange control information, which allows mutual control of network layer connections, including the control of supplementary services, if applicable; and
- can interchange management information, enabling management actions with regard to, e.g., the use and supervision of the user information channels.

Reference point Q has been defined as a conceptual point (e.g. not as a real interface) where the exchange of connection control information between PISN exchanges shall be specified. Reference point C has been defined as an interface point where the access parameters and procedures and, if applicable, the control information between the PISN exchanges and the intervening network shall be specified.

Annex A shows the various information flows terminating at the reference points specified in this ECMA Standard.

Compared to the 1st Edition of Standard ECMA-133 (published by ECMA in April 1989), this 2nd Edition has been extended to achieve complete alignment with International Standard ISO/IEC 11579-1:1994(E).

Except for the existence of a conformance clause in this ECMA Standard there are no other differences between this ECMA Standard and International Standard 11579-1.

Adopted as 2nd Edition of Standard ECMA-133 by the General Assembly of December 1998.

Table of contents

1 Scope	1
2 Conformance	1
3 Normative references	1
4 Symbols and abbreviations	1
5 Definitions	2
5.1 Reference Configuration	2
5.2 Functional grouping	2
5.3 Reference Point (RP)	2
5.4 Private Integrated Services Network (PISN)	2
5.5 Private Integrated Services Network Exchange (PINX)	2
5.6 Inter-PINX Connection (IPC)	2
5.7 Intervening Network (IVN)	2
6 PINX Reference Configuration	3
6.1 Terminal Equipment (TE)	3
6.2 Private Termination System functional grouping (PTS)	3
6.3 Switching functional grouping (SW)	3
6.4 Mapping functional grouping (MP)	3
6.5 Public ISDN Access Termination functional grouping (PIAT)	3
6.6 Inter-PINX Connection Control functional grouping (ICC)	3
6.7 Call Control functional grouping (CC)	3
6.8 Scenario management	3
7 Reference points (RP)	4
7.1 C reference point	4
7.2 Q reference point	4
7.3 S reference point	4
7.4 T reference point	4
8 Use of the PINX Reference Configuration	4
8.1 Multiple instances of Q reference point	4
8.2 Multiple instances of C reference point	5
8.3 Multiple IVN interfaces	5
8.4 Shared interface use	5
Annex A - Termination of signalling information flows	7
Annex B - Public ISDN / PISN interworking scenarios	9
Annex C - Example of a PISN employing multiple instances of Q reference points	11
Annex D - Example for the application of the PINX reference configuration to a PISN	13

1 Scope

This ECMA Standard specifies a reference configuration (RC) for private integrated services network exchanges (PINXs) for their interconnection to form private integrated services networks (PISNs). The configuration is not intended to require any specific implementation of a PINX, but only to provide guidance for the specification of PINX capabilities.

This RC is sufficient to support ISDN-like applications. It can be extended to also support non-ISDN-like applications.

This RC describes a conceptual PINX. By combining multiple PINXs to a private integrated services network the RC becomes applicable to a PISN.

2 Conformance

Other standards specifying PISN or PINX capabilities conform to this Standard if they adhere to the definitions and employ the concepts described in clauses 5, 6 and 7 of this Standard.

3 Normative references

The following publications contain provisions which, through reference in this text, constitute provisions of this Standard. All publications are subject to revision, and parties to agreements based on this Standard are encouraged to investigate the possibility of applying the most recent editions of the publications listed below.

IUT-T Rec. I.411 ISDN user-network interfaces – Reference configurations (1993)

IUT-T Rec. I.570 Public/private ISDN interworking (1993)

4 Symbols and abbreviations

CC	Call Control functional grouping
ICC	Inter-PINX Connection Control functional grouping
IPC	Inter-PINX Connection
ISCTX	Integrated Services Centrex
ISPBX	Integrated Services Private Branch Exchange
IVN	InterVening Network
MP	Mapping functional grouping
PIAT	Public ISDN Access Termination functional grouping
PINX	Private Integrated Services Network Exchange
PISN	Private Integrated Services Network
PTS	Private Termination System functional grouping
RC	Reference Configuration
RP	Reference Point
SW	SWitching functional grouping
TE	Terminal Equipment functional grouping

5 Definitions

For the purposes of this Standard, the following definitions apply:

5.1 Reference Configuration

A conceptual configuration showing functional arrangements within a public ISDN, a PISN or between a public ISDN and a PISN. Reference configurations are based on association rules of functional groupings and reference points. A functional arrangement may, but need not, be equivalent to a physical arrangement of units of equipment.

5.2 Functional grouping

A set of functions needed in functional arrangements. A functional grouping may, but need not, be equivalent to a unit of equipment. Depending on the actual implementation, some of the functions of a functional grouping may or may not be present.

5.3 Reference Point (RP)

A conceptual point at the junction of two functional groupings. In a specific functional arrangement, a reference point may, but need not, correspond to a physical interface between units of equipment.

5.4 Private Integrated Services Network (PISN)

A private network providing services to a specific set of users (different from a public network which provides services to the general public).

NOTE 1

This definition does not include legal and regulatory aspects and does not indicate any aspects of ownership.

NOTE 2

The term "PISN " covers more than a (private) ISDN.

5.5 Private Integrated Services Network Exchange (PINX)

A PISN nodal entity which provides automatic connection handling functions used for the provision of telecommunication services . A nodal entity consists of one or more nodes.

NOTE

If applicable, a PINX provides:

- *telecommunication services within its own area, and/or*
- *telecommunication services from the public ISDN, and/or*
- *telecommunication services from other public networks, and/or*
- *within the context of a private integrated services network, telecommunication services from other PINXs*

to users of the same and/or other PINXs.

A PINX can be presented by an ISPBX, ISCTX (CENTREX), or other equipment performing the functions outlined above (e.g. LAN interworking unit).

5.6 Inter-PINX Connection (IPC)

A connection between two PINXs; the inter-PINX connection is provided by an intervening network. It can be established on-demand or permanently, depending on the nature of the intervening network and, if applicable, customer's requirements.

5.7 Intervening Network (IVN)

The generic term for any real type of network which is employed for the provision of inter-PINX connections.

6 PINX Reference Configuration

The reference configuration is depicted within the dotted rectangle in figure 1 and contains the following functional groupings:

NOTE

The definition of specific information flows across RPs is outside the scope of this Standard.

6.1 Terminal Equipment (TE)

The TE functional grouping shall conform to the TE functional grouping as defined in ITU-T Rec. I.411. The TE can be either a TE1 functional grouping or a combination of a TE2 and a TA functional grouping.

6.2 Private Termination System functional grouping (PTS)

This functional grouping provides transmission functions and, if applicable, Layer 1 signalling functions between the TE and the SW, as well as adaptation functions to the physical, electrical and procedural conditions of the interface employed at the point of attachment of a TE to the PINX, to those employed at the SW.

6.3 Switching functional grouping (SW)

This functional grouping provides the switching functions for user and signalling information. User information is switched between PTS and MP (see 5.4) or PIAT (see 5.5), depending on the selection of the switching path. Signalling information is switched between PTS and CC (see 5.7), and CC and MP and/or PIAT, depending on the selection of the switching path. The selection of the switching path depends on the parameters of the service request.

6.4 Mapping functional grouping (MP)

This functional grouping shall provide the functions which are necessary to adapt to physical, electrical and procedural conditions of the interface employed at the interface between the PINX and the IVN to those employed at the SW. MP also provides the multiplexing functions which are required to separate or merge the information flows to or from SW from or to the user plane of the IVN, and to or from IAC from or to the control plane of the IVN, respectively.

6.5 Public ISDN Access Termination functional grouping (PIAT)

This functional grouping provides the functions which are necessary to adapt the physical, electrical and procedural conditions employed at the interface between the PINX and the public ISDN to those employed at SW.

6.6 Inter-PINX Connection Control functional grouping (ICC)

This functional grouping provides the signalling and control handling functions which are necessary to control the inter-PINX connection (IPC) through the intervening network.

6.7 Call Control functional grouping (CC)

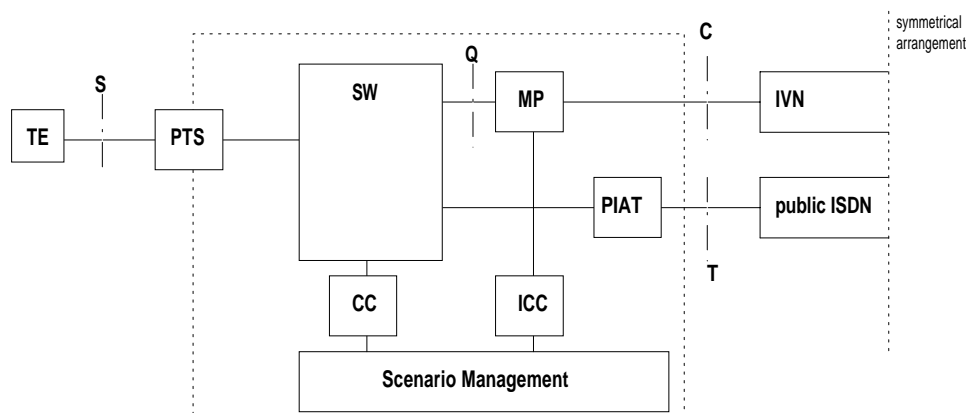
This functional grouping provides the functions which are necessary to control the call and the connection through a public ISDN and/or a PISN, and/or between the TEs attached to SW via PTS.

6.8 Scenario management

This functional grouping provides the information on the type of intervening network to MP as required for the application of the appropriate control functions to the intervening network, via SW. Management functions and information flows between interconnected PINXs are handled by this functional grouping.

7 Reference points (RP)

Letters have been allocated to those RPs at which interface and/or protocol definitions can be standardized.



NOTE - The allocation of PTS to the PINX, to the PINX's network, or to the TE depends on the physical implementation and is not defined by this standard.

Figure 1 - PINX reference configuration

7.1 C reference point

The C RP defines the boundary between MP and intervening network. The physical, electrical and procedural interface characteristics shall be specified at this RP, as well as the signalling information flows which are necessary for the control of the inter-PINX connections provided by the IVN.

In the case where the IVN is a public ISDN, the interface specifications of the T RP shall apply at the C RP.

7.2 Q reference point

The Q RP defines the boundary between SW and MP. The inter-PINX call control functions and signalling information flows shall be specified at this RP.

7.3 S reference point

The S RP defines the boundary between the TE and the PINX functional groupings. It forms the access point of the TE to the PINX capabilities (see ITU-T Rec.).

7.4 T reference point

The T RP defines the boundary between the functional groupings of the PINX and those of the public ISDN. The physical, electrical and procedural interface characteristics shall be specified at this RP, as well as the interworking functions and control information between the public ISDN and the PISN.

8 Use of the PINX Reference Configuration

The PINX reference configuration is an abstract way of defining reference points. This clause gives some refined tools which allow the reference configuration to be applied to real implementations.

An example of the combined use of these tools is given in annex C.

An example showing the applicability of the PINX reference points to a PISN is given in annex D.

8.1 Multiple instances of Q reference point

If a PINX has multiple groups of inter-PINX connections, each leading to a different peer PINX, multiple instances of Q reference points will occur. These may be distinguished by appropriate indexes, e.g. $Q_1 \dots Q_x$. This is shown in figure 2.

NOTE

There is no relationship between the number of instances of *Q* reference points and the number of interfaces at the *C* reference point; i.e. multiple instances of *Q* reference points may be mapped onto a single or onto multiple physical interfaces at the *C* reference point.

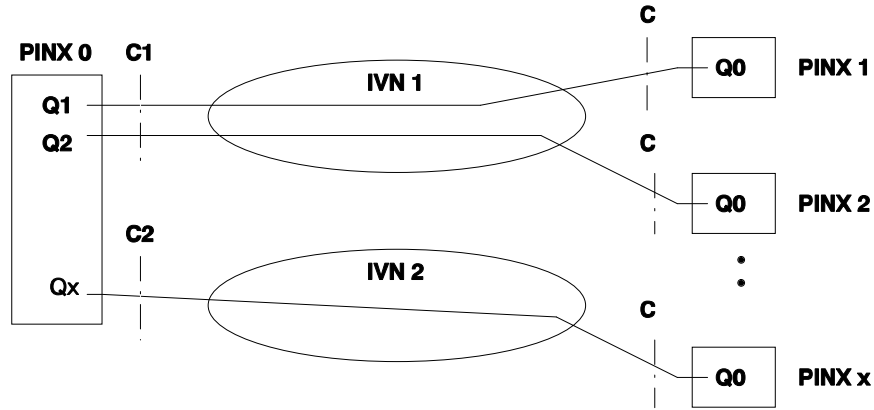


Figure 2 - Multiple instances of *Q* reference points

8.2 Multiple instances of *C* reference point

If multiple types of IVN are employed, multiple instances of *C* reference point will occur, each corresponding to a particular type of IVN. The individual instances of *C* reference points may be distinguished by appropriate indexes, e.g. *C*₁ ... *C*_{*n*}. This is shown in figure 3.

NOTE

If in addition multiple *Q* reference points are utilized in a PINX (see 7.1), the annotation for the *C* reference points should reflect this by, e.g., *C*_{*x*1} ... *C*_{*x**n*}, *C*_{*y*1} ... *C*_{*y**m*}, whereby *x* and *y* designate the particular instance of the *Q* reference point.

If *Q* reference points use the same type of IVN for their inter-PINX connections, the values of *x* and *y* will be the same.

8.3 Multiple IVN interfaces

If a particular type of IVN connects to a PINX via multiple interfaces, no particular distinction of these interfaces by different reference points shall be applied.

NOTE

This does, however, not preclude that the individual interfaces are distinguished by other means.

8.4 Shared interface use

When a public ISDN is employed as an IVN, *C* and *T* reference points can coexist on the same interface(s). This is shown in figure 4.

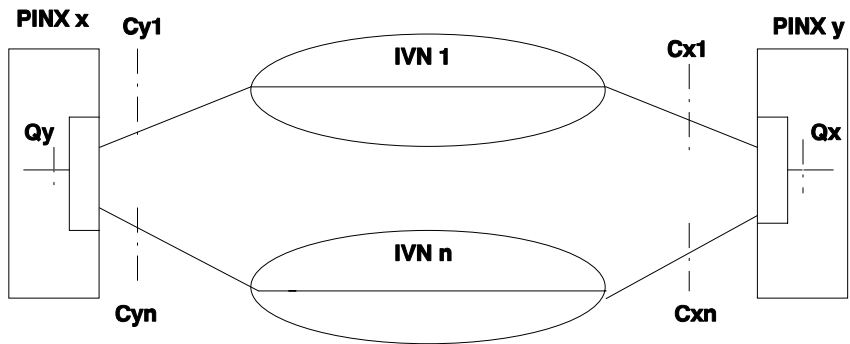


Figure 3 - Multiple instances of C reference point

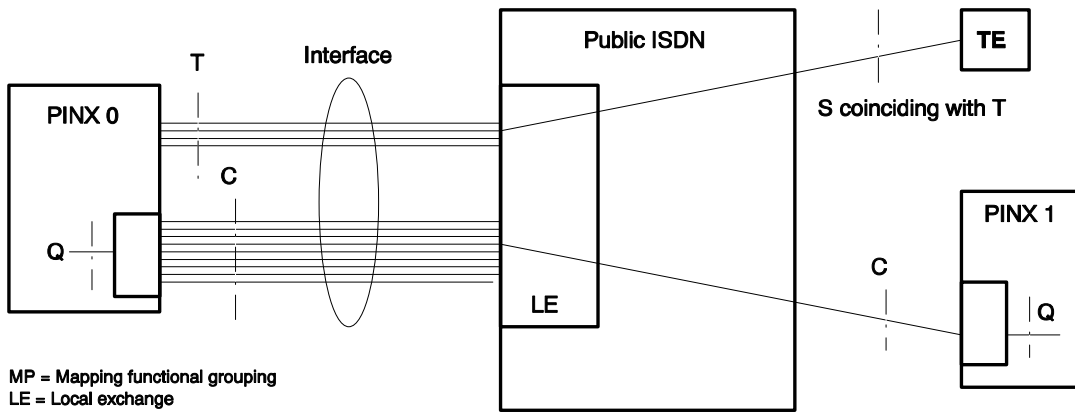
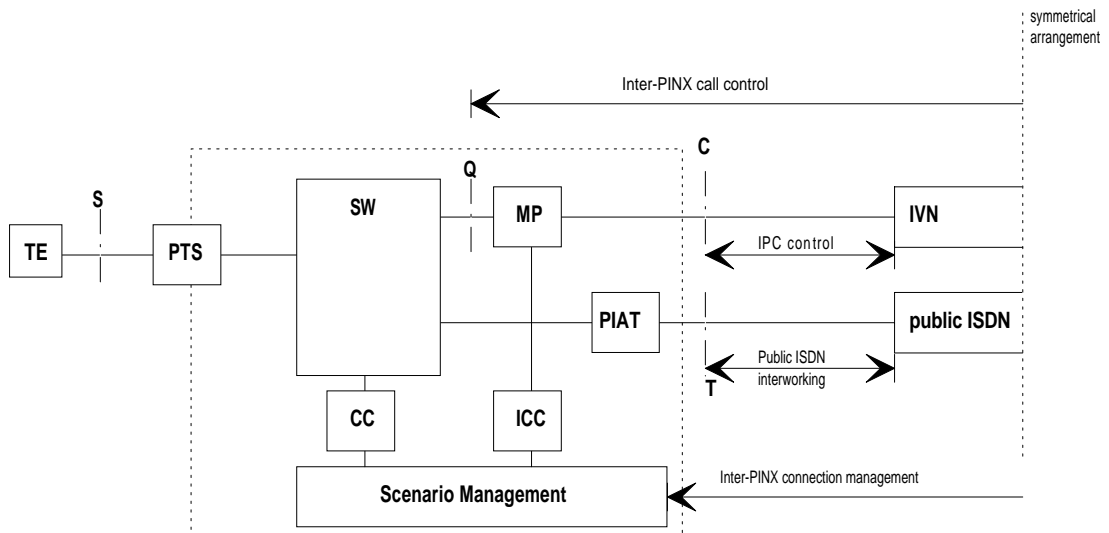


Figure 4 - Shared use of an interface to a public ISDN

Annex A
(informative)

Termination of signalling information flows

Figure A.1 shows the termination of signalling flows necessary for PINX interworking.



NOTE - The allocation of PTS to the PINX, to the PINX's network, or to the TE depends on the physical implementation and is not defined by this standard.

Figure A.1 - Application of the PINX reference configuration to protocol termination

Annex B

(informative)

Public ISDN / PISN interworking scenarios

B.1 Overlay scenario

This scenario is characterized by the fact that the PISN user will see the services provided by the PISN irrespective of how the link between the two PISN exchanges is established, i.e. whether it is routed through the public ISDN or not (links A and B in figure B.1). The public ISDN entities provide transparency to the services of the PISN, as indicated by the examples of the local exchanges (LE).

B.2 Concatenation scenario

This scenario is characterized by the fact that the PISN user will see the smallest common denominator of services as provided by both networks. The public ISDN entities provide interworking with the services of the PISN, as indicated by the examples of the local exchanges (LE), see figure B.2.

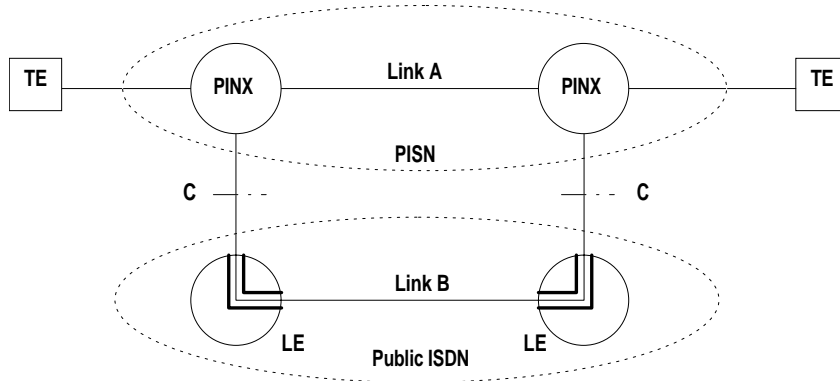


Figure B.1 - Overlay scenario

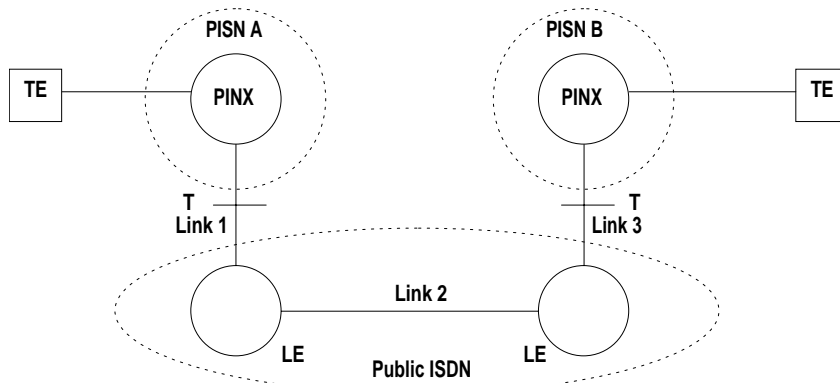


Figure B.2 - Concatenation scenario

Annex C

(informative)

Example of a PISN employing multiple instances of Q reference points

The example shown in figure C.1 shows four PINXs. The inter-PINX connections are provided by a public ISDN. PINX 0 interworks with PINX 3 (Q₃ reference point), PINX 3 with PINX 0 and PINX 2 (Q₀ and Q₂ reference points), PINX 2 with PINX 3 and PINX 1 (Q₃ and Q₁ respectively), and PINX 1 with PINX 2 (Q₂).

PINXs 1 and 3 employ shared interface use, whereas PINX 0 has a separate interface for the support of its T reference point. In this particular example, PINX 2 has been configured to not have a T reference point of its own, i.e. all public ISDN calls will need to be established via PINXs 1 or 3.

PINXs 2 and 3 can act as transit PINXs for intra-PISN calls, and all PINXs can act as transit PINXs for calls into/from the public ISDN.

Since the ISDN is used as the only type of IVN for any of the four PINXs, only one instance of C reference point is involved at each PINX.

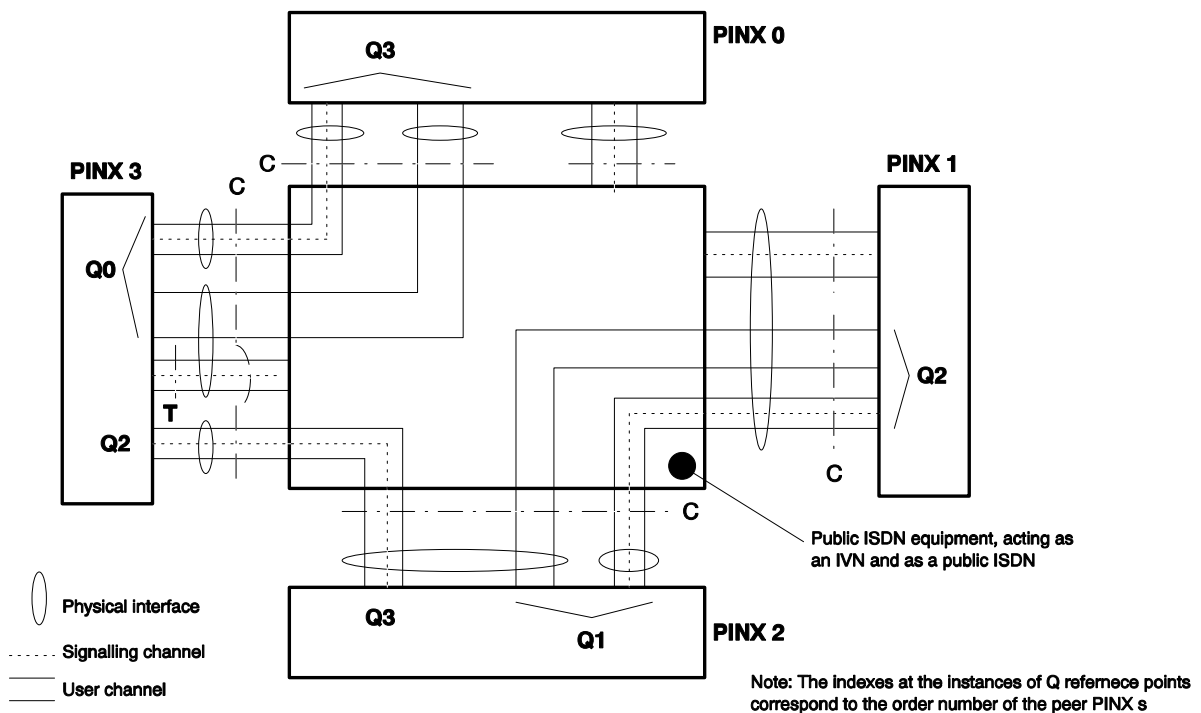


Figure C.1 - Example for the application of the PINX reference configuration to a PISN with multiple instances of Q reference point and with shared interface use

Annex D

(informative)

Example for the application of the PINX reference configuration to a PISN

Figure D.1 shows an example of how PINXs can be combined to form a PISN and how the reference points defined in the PINX reference configuration apply to such a complete PISN:

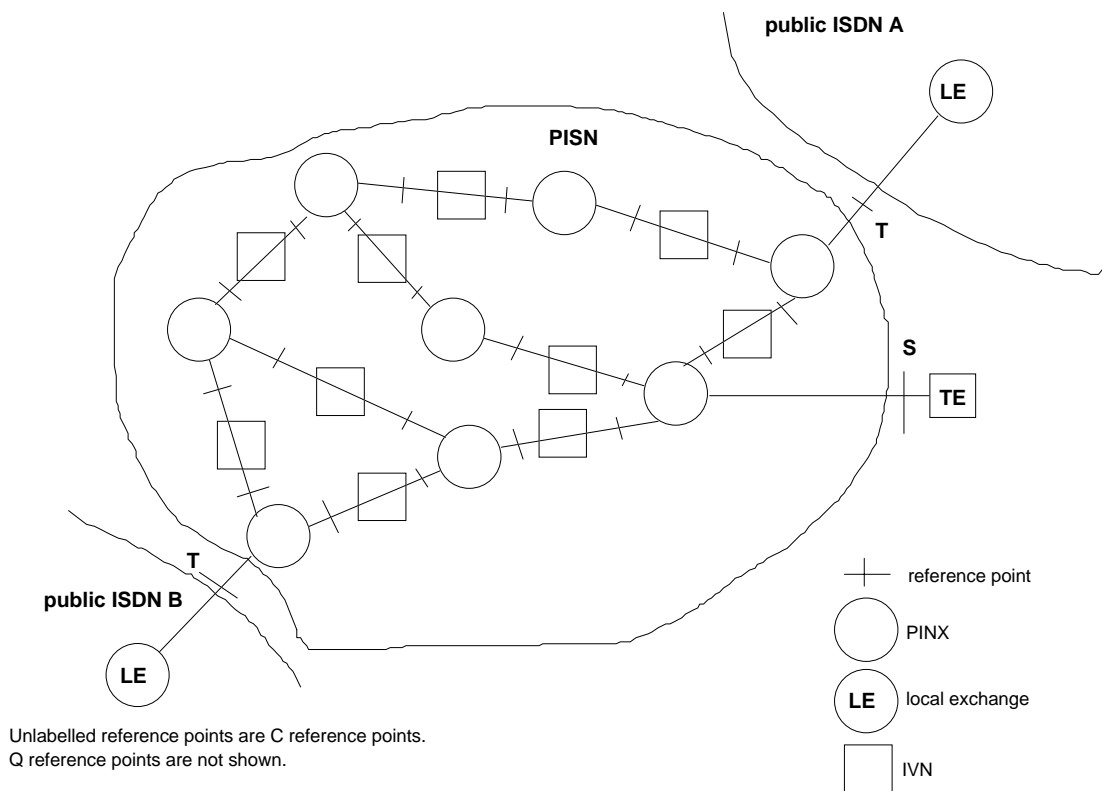


Figure D.1 - Application of the PINX reference configuration to a PISN

The PINXs form an arbitrary example of PISN topology. Each of the inter-PINX connections is provided by an IVN. Although Q reference points are not shown, the figure implies their multiple use.

For simplicity, figure D.1 does not show multiple IVNs between the various adjacent PINXs, and the figure thus does also not show the use of multiple instances of C reference points.

The figure shows that any type of IVN, including public ISDNs, can be employed for the provision of inter-PINX connections (overlay scenario). External calls to/from public ISDNs A and B cross the PISN boundary at T reference points (concatenation scenario). PINXs which do not provide interconnection with the public ISDN do not have a T reference point.

For simplicity, only one terminal has been shown. Pure transit PINXs do not have an S reference point (not explicitly shown).

Printed copies can be ordered from:

ECMA

114 Rue du Rhône
CH-1204 Geneva
Switzerland

Fax: +41 22 849.60.01

Internet: documents@ecma.ch

Files can be downloaded from our FTP site, **[ftp.ecma.ch](ftp://ftp.ecma.ch)**. This Standard is available from library **ECMA-ST** as a compacted, self-expanding file in MSWord 6.0 format (file E133-DOC.EXE) and as an Acrobat PDF file (file E133-PDF.PDF). File E133-EXP.TXT gives a short presentation of the Standard.

Our web site, <http://www.ecma.ch>, gives full information on ECMA, ECMA activities, ECMA Standards and Technical Reports.

ECMA

**114 Rue du Rhône
CH-1204 Geneva
Switzerland**

This Standard ECMA-133 is available free of charge in printed form and as a file.

See inside cover page for instructions